

Latest [Apr 18, 2022 Network Appliance NS0-183 Real Exam Dumps PDF [Q36-Q53]



Latest [Apr 18, 2022] Network Appliance NS0-183 Real Exam Dumps PDF
NS0-183 Practice Test Questions Updated 61 Questions

Network Appliance NS0-183 Exam Syllabus Topics:

TopicDetailsTopic 1- Demonstrate knowledge of how a node should be added or replaced- Describe basic equipment installation stepsTopic 2- Identify the networking components in a cluster environment- Identify general cluster terms used during installationTopic 3- Demonstrate knowledge of how to configure- verify configuration requirements- Describe installation preparation stepsTopic 4- Describe how to use NetApp configurations- Describe how to complete the service reportTopic 5- Demonstrate knowledge of the purpose of the management network- Identify the functions of supported switches

NO.36 Click the Exhibit button.



You are setting up a new AFF A700 into a new rack at a customer's site. The customer asks you to plan for simplified future growth.

Referring to the exhibit, how would you satisfy this requirement?

- * Option 4
- * Option 2
- * Option 3
- * Option 1

NO.37 You are planning to update your running switch environment. You must know that certain conditions exist before the FASTPATH software and the RCF on a NetApp CN1610 cluster switch can be installed.

Which condition must exist in this scenario?

- * All ISL ports must be moved to a different switch.
- * You can only update your switch environment within offline windows.
- * You must set the port configuration to default for all ports before running the `portcfgdefaultport-number` command.
- * All cluster logical interfaces (LIFs) must be up and must not have been migrated.

NO.38 Which NetApp tool should you use to set up an ONTAP 9.5 cluster?

- * Config Advisor
- * System Setup
- * SANtricity Storage Manager
- * OnCommand System Manager

NO.39 An ONTAP cluster is installed at a secure site. The array has no access to the Internet but is managed 24/7 by onsite engineers. The customer requires that when hardware failures occur, the failures are reported to the NetApp Support team as quickly as possible.

In this scenario, which two tasks should be performed during the project hand-off procedure to satisfy the customer's requirement? (Choose two.)

- * Ensure that Active IQ Config Advisor is installed.
- * Ensure that the onsite engineers receive EMS alerts when hardware issues occur.

- * Educate the onsite engineers about invoking the AutoSupport tool from ONTAP System Manager.
- * Educate the onsite engineer about how to manually log support calls.

NO.40 You finished a new installation and executed Config Advisor successfully. You review the physical racking and cabling on one of the controllers, and notice an amber light that was not previously on.

Which two actions should you perform before you turn over the cluster for production? (Choose two.)

- * Remove cables connected to the controller until you find the one responsible for the controller issue.
- * Review AutoSupport messages which could explain the controller state.
- * Execute Config Advisor again to check for new errors.
- * Let the customer know the cluster is operating normally while the amber LED is on.

NO.41 You complete a hardware installation on a CN1610 switch and establish a serial connection to the RJ45 port.

In this scenario, the established serial connection allows the installer to complete which two tasks for the switches initial configuration? (Choose two.)

- * to view network information that has been dynamically assigned to the management interface by the DHCP server on the network
- * to use the serial port connection as a diagnostic channel to the second CN1610 switch in the cluster interconnect
- * to configure the switch with another CN1610 switch using Cross-Stack EtherChannel configuration for load balancing and performance
- * to manually configure the static network information

NO.42 You are installing a new AFF A400 cluster for a customer. The customer indicates that they want to take advantage of AutoSupport On Demand.

In this scenario, which AutoSupport transport protocol must you use?

- * HTTP
- * SMTP
- * FTP
- * HTTPS

NO.43 You want to ensure the highest path resilience and performance increase to the storage stack on your FAS8700 cluster.

In this scenario, which two types of stack cabling are available to use? (Choose two.)

- * quadpath HA
- * mixed-mode
- * single path
- * multipath HA

NO.44 You install a new 2-node FAS8200 switchless cluster. You want to reach all necessary management LIFs and SPs for this cluster.

How many management IP addresses do you need in this scenario?

- * 1
- * 2
- * 5
- * 4

NO.45 You want to create a new intercluster LIF for cross-cluster replication and use the CLI. After you create the nac101_intercluster_lif_icl LIF, you are not able to see the LIF in the list of local intercluster LIFs.

```
cluster1::> network interface create -vserver cluster1 -lif nac101_intercluster_lif_ic1
             -home-node nac101-01 -home-port e1c -address 192.0.2.145 netmask 255.255.255.0
```

Referring to the exhibit, what is the problem?

- * The assigned port for the intercluster e1c LIF is in the down admin state.
- * The intercluster LIF has assigned an IP address that is not in the intercluster VLAN.
- * The LIF that was created has the wrong role type.
- * The home node of the new intercluster LIF has reached the maximum of four intercluster LIFs.

NO.46 You are asked to add a new HA pair to an existing 2-node switchless AFF A220 cluster. You must first convert to a 2-node switched cluster using Broadcom BES-53248 cluster switches.

Which two conditions must be fulfilled before you start the migration? (Choose two.)

- * All cluster LIFs must be in the up state and on their home ports.
- * The `Enabled Switchless Cluster` option must be manually set to `false`.
- * All cluster LIFs must have an MTU size of 1500.
- * The 2-node switchless configuration must be properly set up and functioning.

NO.47 Which two SVMs are automatically created during the cluster setup? (Choose two.)

- * admin SVM
- * system SVM
- * node SVM
- * data SVM

NO.48 You have set up a new 2-node switchless cluster and want to verify that the failover is configured correctly.

In this scenario, which two commands accomplish this task? (Choose two.)

- * `cluster ha show`
- * `storage failover show`
- * `cluster ring show`
- * `storage failover show-takeover`

NO.49 Click the Exhibit button.

```
::> event notification destination create -name syslog -syslog 10.10.100.40
::> event notification create -filter-name important-events -destinations syslog
::> cluster log-forwarding create -destination 10.10.100.40 -port 514 -facility user
```

Referring to the exhibit, what information is forwarded to syslog after you enter the scripted install commands? (Choose two.)

- * command history
- * EMS messages
- * AutoSupport messages
- * SNMP traps

NO.50 Which two SVMs are automatically created during the cluster setup? (Choose two.)

- * admin SVM
- * system SVM
- * node SVM

* data SVM

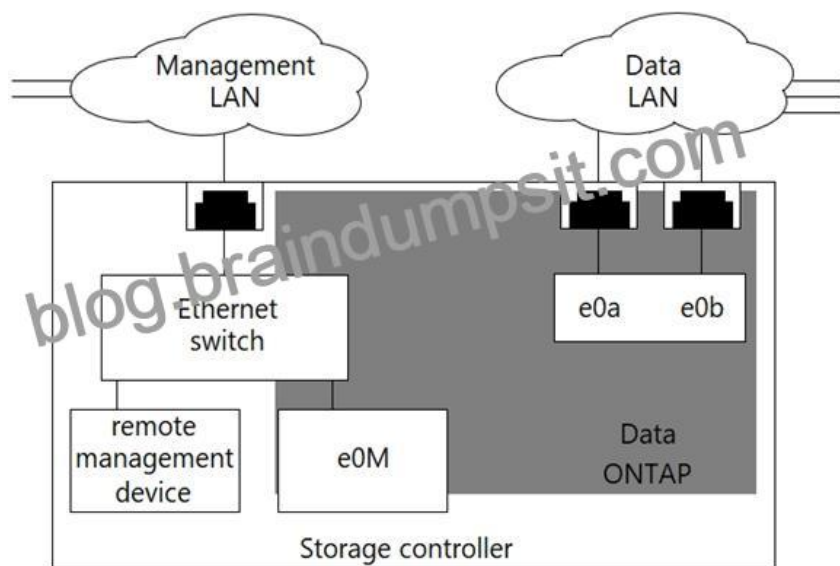
<https://docs.netapp.com/ontap-9/index.jsp?topic=%2Fcom.netapp.doc.dot-cm-sag%2FGUID-D860985F-11BF-4589-9457-E0FD03130B1F.html>

NO.51 While installing a new AFF A400 HA pair, you are unable to add an NTP server from another subnet. You are able to ping the NTP server from the new cluster.

In this scenario, what are two causes of this problem? (Choose two.)

- * The admin SVM has the wrong gateway.
- * A firewall is blocking port 123.
- * The time skew is too great.
- * The cluster management LIF needs to be in a different IPspace.

NO.52 Click the Exhibit button.



You are installing a new FAS cluster. The management network must be on tagged VLAN 11 for remote administration by a service provider.

Referring to the exhibit, which two ports will allow service provider access to both cluster and node management LIFs? (Choose two.)

- * e0M
- * e0b-11
- * e0a-11
- * e0M-11

NO.53 You are cabling two Cisco 3232C switches for the cluster interconnect of a 4-node AFF A800 cluster.

Which pair of ports are used to cable the Inter-Switch Link (ISL) between the switches?

- * 1/21 to 1/24
- * 0/13 to 0/16
- * 1/31 and 1/32
- * 0/1 and 0/2

Network Appliance NS0-183 Dumps - Secret To Pass in First Attempt: https://www.braindumpsit.com/NS0-183_real-exam.html

]