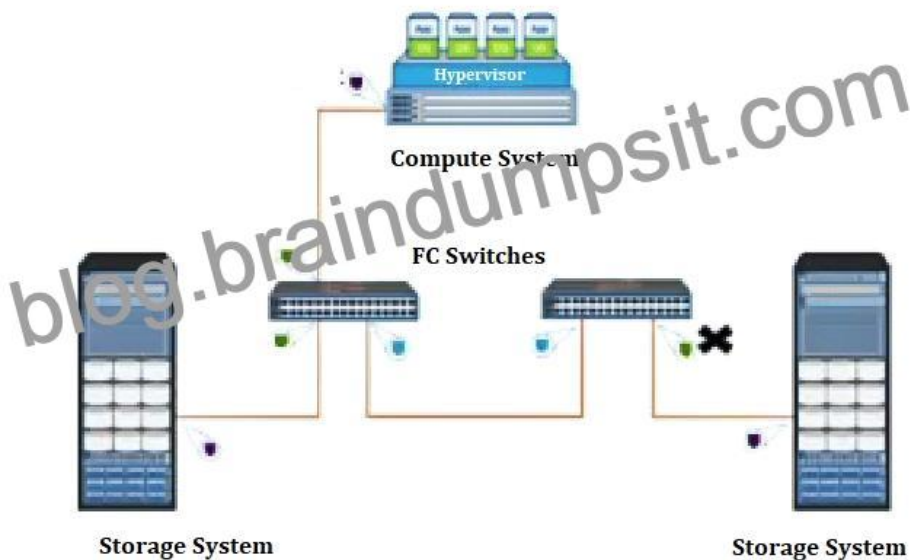


Best EMC DEA-1TT5 2023 Training With 115 QA's [Q40-Q54]



Best EMC DEA-1TT5 2023 Training With 115 QA's
EMC DEA-1TT5 Certification Exam Questions

NO.40 Refer to the exhibit.



What type of Fibre Channel port does the 'X' represent?

- * N_port
- * F_port
- * E_port
- * NL_port

NO.41 What is an accurate statement about a logical volume in a compute system?

Response:

- * Can span across multiple physical volumes
- * Can only be created from a single physical volume
- * Must be created across multiple volume groups
- * Allows multiple file systems to run concurrently

NO.42 Why is it important for organizations to maintain a copy of data at a remote site?

Response:

- * Ensure disaster recovery
- * Provide operational recovery
- * Ensure data archiving to meet regulatory requirements
- * Provide flexibility to use stub files for production operations

NO.43 What provides the ability to automatically relocate extents across physical storage drives over the entire pool when new drives are added to the pool?

Response:

- * Storage pool rebalancing
- * Extent relocation

- * Storage pool tiering
- * Automated extent tiering

NO.44 An organization wants to secure and protect the data from unauthorized access on a storage medium.

Which security control helps to secure the data?

Response:

- * LUN masking
- * Encryption
- * Identity and Access
- * Degaussing

NO.45 A Fibre Channel switch has eight ports and all ports must be operational from 8 AM to 8 PM, Monday through Friday.

However, a failure of Port 2 occurs on a particular week as follows:

Monday = 10 AM to 12 PM

Wednesday = 4 PM to 9 PM

Thursday = 4 PM to 7 PM

Friday = 3 PM to 6 PM

Saturday = 9 AM to 1 PM

What is the availability of Port 2 in that week?

- * 70%
- * 71.6%
- * 78.3%
- * 80%

NO.46 What is an accurate statement about cache vaulting?

Response:

- * Only writes to the cache are stored in a mirrored location during a power failure
- * Cache data in multiple locations is made coherent during a power failure
- * Contents of cache is dumped to a set of physical storage drives during a power failure
- * Seals the cache and rejects any further reads or writes during a power failure

NO.47 What is a benefit of application virtualization?

- * Avoids conflicts between different versions of the same application
- * Enables an application to directly access a LUN on a storage system
- * Runs applications without requiring the use of cache memory
- * Presents more memory to an application than is physically available

NO.48 Which Dell EMC product is a software-defined storage platform that abstracts, pools, and automates a data center's physical storage infrastructure?

- * XtremIO

- * ViPR Controller
- * VxFlex OS
- * PowerMax

NO.49 What is a function of the application hardening process?

- * Isolate VM network to ensure the default VM configurations are unchanged
- * Validate unused application files and programs to ensure consistency
- * Perform penetration testing and validate OS patch management
- * Disable unnecessary application features or services

NO.50 What is an accurate statement about three-way NDMP backup in a NAS environment?

Response:

- * Backup device can be shared among multiple NAS heads
- * Each NAS head should have a dedicated backup device
- * Backup data traverses at least three NAS heads before reaching the backup device
- * Backup is performed only when three or more NAS heads are present

NO.51 Refer to the exhibit:



Which operation is represented?

- * Write-through
- * Read Hit
- * Read Miss
- * Write-back

NO.52 What is determined by the amount of space configured for the journal in continuous data protection (CDP) replication?

Response:

- * Length of time required to recover the data
- * Length of time the recovery points can go back
- * Amount of data that can be restored to a specific point
- * Amount of space the source and replica volumes require

NO.53 Why is it important for organizations to store, protect, and manage their data?

- * To reduce the amount of data to be replicated, migrated, and backed up
- * To develop and deploy modern applications for business improvement
- * To eliminate complexity in managing the data center environment

- * To meet the requirements of legal and data governance regulations

NO.54 Why is it important for organization to deploy intelligent storage systems in their data centers?

Response:

- * Reduce the complexity of managing information by creating silos of storage
- * Effectively migrate data from a data center to the cloud at no cost
- * Reduce the amount of data to be replicated, migrated, and backed up
- * Effectively store and manage information across data centers

What is the salary of an Associate - Information Storage and Management Professional?

The Average salary of different countries for Associate - Information Storage and Management Professional

UK - Pounds 35,800 India - INR 3,44,200 United States - USD 59,800

Dell DEA-1TT5 Exam: What You Need To Know About It?

One of the most important things that you need to know about this certification is that it does not require any experience or prior training in order for someone to pass it successfully. In fact, there are many people who have taken this certification even though they have never worked in any kind of IT industry before! This means that if you really want to get certified then all you need is determination and commitment in order to do so successfully. **Dell DEA-1TT5 exam dumps** are help you to pass your exam.

Quickly and Easily Pass EMC Exam with DEA-1TT5 real Dumps: https://www.braindumpsit.com/DEA-1TT5_real-exam.html